

Octave™ Column Stand

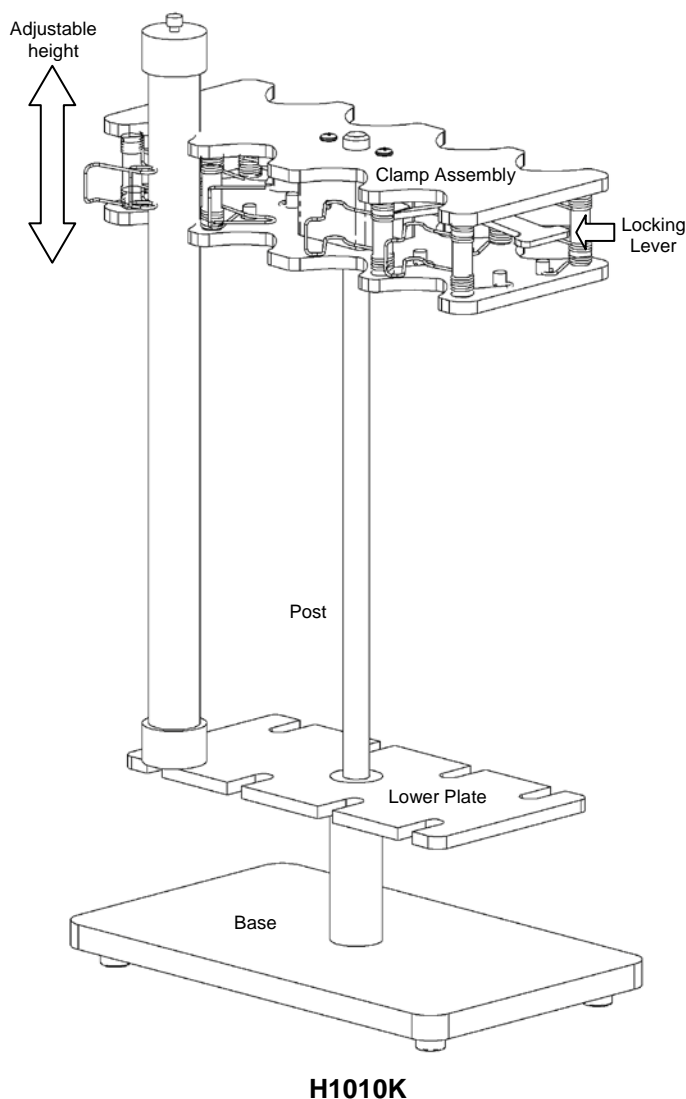


Cat. Nos. H1010K, H1011K

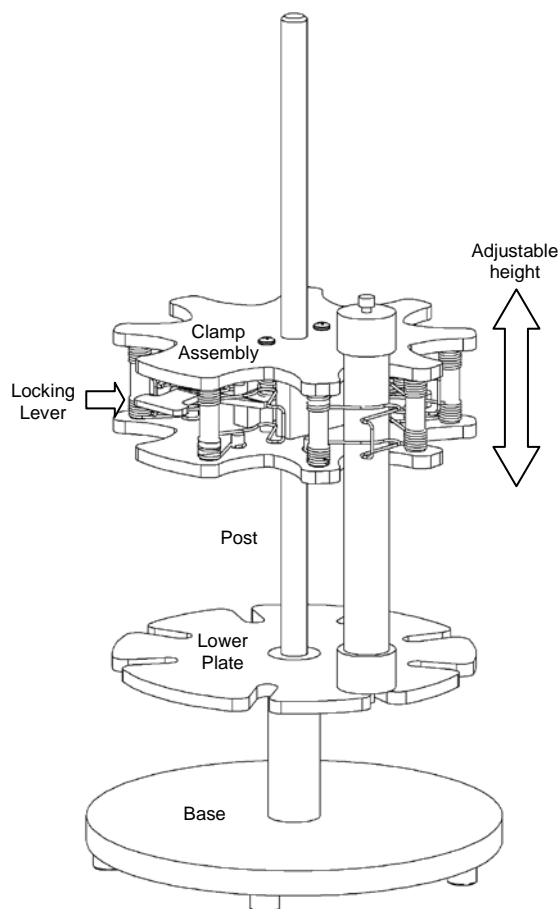
DESCRIPTION

The Octave™ Column Stand is a versatile 8-position holder for chromatography columns. The stand features a unique clamp assembly that accommodates columns up to 3.8 cm in diameter (OD). Each column is firmly held by its barrel with an integrated stainless steel spring clamp, with its outlet end supported in a slot on the lower plate. The position of the clamp assembly is infinitely adjustable along the central post by means of a locking lever that can be operated with one hand. By adjusting the height of the clamp assembly, columns up to 45 cm long can be conveniently secured.

The stand is ideal for use with Semba's Octave Chromatography Systems, as well as for general laboratory use as a sturdy and versatile 8-position stand.



H1010K



H1011K

FEATURES

- Securely holds 8 columns up to 3.8 cm diameter x 45 cm long, minimum length 5 cm
- Spring clamps for rapid loading/unloading; no thumbscrews
- One-hand adjustable height with single locking lever
- Compact footprint; available in round or rectangular models

DIMENSIONS

Model	Round H1011K	Rectangular H1010K
Base	20 (8)*	15 x 25 (6 x 10)
Lower Plate	17 (6.8)	10 x 22 (4.1 x 8.5)
Clamp Assembly	18 (7)	10 x 25 (4.1 x 9.9)
Post	41 (16)	41 (16)

* centimeter (inch)

Semba is a registered trademark of Semba Biosciences, Inc. The Semba logo and Octave are trademarks of Semba Biosciences, Inc. Column stand design patent pending.

All Semba Biosciences products are sold for research use only.

Copyright 2010 Semba Biosciences, Inc. All rights reserved.

www.semabio.com

Toll-free 866.634.1114

TB109.01

Rev 090710

Fax 608.441.8329

Octave™ Column Stand



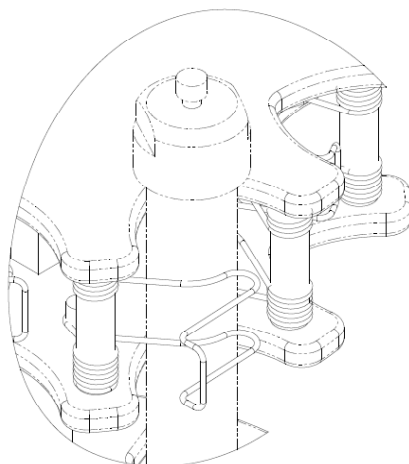
Cat. Nos. H1010K, H1011K

MATERIALS

ABS thermoplastic, stainless steel

Highly impact-resistant; stable from
-20°C to +100°C.

Resistant to acids, alkalis, alcohols, oils.



H1010K with 12 x 1.5 cm columns*



H1011K with 27 x 2.8 cm columns*



H1011K with assorted columns*



H1010K with 27 x 2.8 cm columns*



H1011K with 41 x 1.5 cm columns*

* External dimensions